

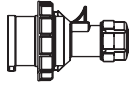
# IP67 OVERVIEW QUICK ORDERING SYSTEM 20/30A



- with screw terminals
- housing material: PA6
- contacts: brass

Amps	Poles	Ground Pin	Voltage (colors)	PLUGS		CONNECTORS		RECEPTACLES		
				TWIST	TWIST	75x75 mm	80x97 mm	flange straight	flange angled	wall mount
20A	2P3W (3p)	4h	120V AC	S31S15A	K31S15A	F31S15A	F31S18A	D31S15A		
		5h	277V AC	S31S75A	K31S75A	F31S75A	F31S78A	D31S75A		
		6h	250V AC	S31S25A	K31S25A	F31S25A	F31S28A	D31S25A		
		7h	480V AC	S31S55A	K31S55A	F31S55A	F31S58A	D31S55A		
	3P4W (4p)	3h	380,440V AC	S41S05A	K41S05A	F41S05A	F41S08A	D41S05A		
		5h	600V AC	S41S75A	K41S75A	F41S75A	F41S78A	D41S75A		
		6h	380V AC	S41S35A	K41S35A	F41S35A	F41S38A	D41S35A		
		7h	480V AC	S41S55A	K41S55A	F41S55A	F41S58A	D41S55A		
		9h	250V AC	S41S25A	K41S25A	F41S25A	F41S28A	D41S25A		
		12h	120/250V AC single phase	S41S65A	K41S65A	F41S65A	F41S68A	D41S65A		
	4P5W (5p)	5h	347/600V AC	S51S75A	K51S75A	F51S75A	F51S78A	D51S75A		
		6h	200/346 to 240/415V AC	S51S35A	K51S35A	F51S35A	F51S38A	D51S35A		
		7h	277/480V AC	S51S55A	K51S55A	F51S55A	F51S58A	D51S55A		
9h		120/208V AC	S51S25A	K51S25A	F51S25A	F51S28A	D51S25A			
30A	2P3W (3p)	4h	120V AC	S32S15A	K32S15A	F32S15A	F32S18A	D32S15A		
		5h	277V AC	S32S75A	K32S75A	F32S75A	F32S78A	D32S75A		
		6h	250V AC	S32S25A	K32S25A	F32S25A	F32S28A	D32S25A		
		7h	480V AC	S32S55A	K32S55A	F32S55A	F32S58A	D32S55A		
	3P4W (4p)	3h	380,440V AC	S42S05A	K42S05A	F42S05A	F42S08A	D42S05A		
		5h	600V AC	S42S75A	K42S75A	F42S75A	F42S78A	D42S75A		
		6h	380V AC	S42S35A	K42S35A	F42S35A	F42S38A	D42S35A		
		7h	480V AC	S42S55A	K42S55A	F42S55A	F42S58A	D42S55A		
		9h	250V AC	S42S25A	K42S25A	F42S25A	F42S28A	D42S25A		
		12h	120/250V AC single phase	S42S65A	K42S65A	F42S65A	F42S68A	D42S65A		
	4P5W (5p)	5h	347/600V AC	S52S75A	K52S75A	F52S75A	F52S78A	D52S75A		
		6h	200/346 to 240/415V AC	S52S35A	K52S35A	F52S35A	F52S38A	D52S35A		
		7h	277/480V AC	S52S55A	K52S55A	F52S55A	F52S58A	D52S55A		
9h		120/208V AC	S52S25A	K52S25A	F52S25A	F52S28A	D52S25A			

## IP67 PLUGS 20/30A



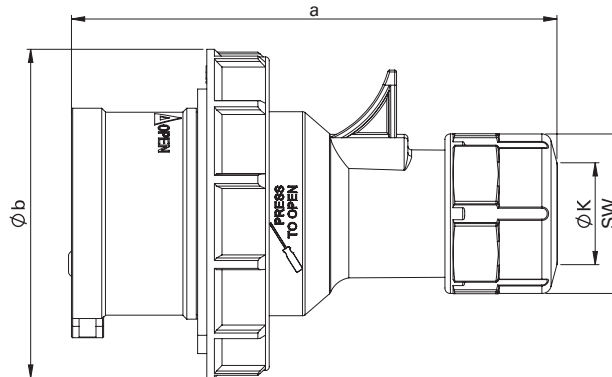
- with screw terminals
- housing material: PA6
- contacts: brass

### S52S55A

wire configuration	clock position	Symbol	Voltage (colors)	20A part number	30A part number
2P3W (3p)	4h		120V AC	S31S15A	S32S15A
	5h		277V AC	S31S75A	S32S75A
	6h		250V AC	S31S25A	S32S25A
	7h		480V AC	S31S55A	S32S55A
3P4W (4p)	3h		380,440V AC	S41S05A	S42S05A
	5h		600V AC	S41S75A	S42S75A
	6h		380V AC	S41S35A	S42S35A
	7h		480V AC	S41S55A	S42S55A
	9h		250V AC	S41S25A	S42S25A
	12h		120/250V AC single phase	S41S65A	S42S65A
4P5W (5p)	5h		347/600V AC	S51S75A	S52S75A
	6h		200/346 to 240/415V AC	S51S35A	S52S35A
	7h		277/480V AC	S51S55A	S52S55A
	9h		120/208V AC	S51S25A	S52S25A

Orange, Green & Grey are all Black with color coded labels.

## Dimensions (mm / in.) & Weight (g / lb.)



Poles	20A			30A		
	2P3W (3p)	3P4W (4p)	4P5W (5p)	2P3W (3p)	3P4W (4p)	4P5W (5p)
a [mm / inch]	118 / 4.65	124 / 4.88	131 / 5.16	146 / 5.75	146 / 5.75	152 / 5.98
Ø b [mm / inch]	71 / 2.8	79 / 3.11	87 / 3.43	93 / 3.66	93 / 3.66	100 / 3.94
K_cable Ø [mm / inch]	6-15 / 0.24-0.59	6-15 / 0.24-0.59	8-16 / 0.31-0.63	11.5-20 / 0.45-0.79	11.5-20 / 0.45-0.79	11.5-22 / 0.45-0.87
SW [mm / inch]	38 / 1.5	38 / 1.5	42 / 1.65	50 / 1.97	50 / 1.97	50 / 1.97
Weight [g / lb]	132 / 0.29	156 / 0.34	184 / 0.41	224 / 0.49	243 / 0.54	281 / 0.62

**IP67  
CONNECTORS  
20/30A**



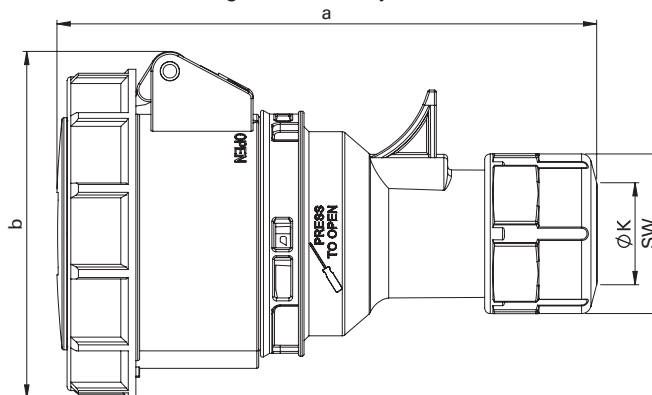
- with screw terminals
- housing material: PA6
- contacts: brass

**K52S55A**

wire configuration	clock position	Symbol	Voltage (colors)	20A part number	30A part number
<b>2P3W</b> (3p)	4h		120V AC	K31S15A	K32S15A
	5h		277V AC	K31S75A	K32S75A
	6h		250V AC	K31S25A	K32S25A
	7h		480V AC	K31S55A	K32S55A
<b>3P4W</b> (4p)	3h		380,440V AC	K41S05A	K42S05A
	5h		600V AC	K41S75A	K42S75A
	6h		380V AC	K41S35A	K42S35A
	7h		480V AC	K41S55A	K42S55A
	9h		250V AC	K41S25A	K42S25A
	12h		120/250V AC single phase	K41S65A	K42S65A
<b>4P5W</b> (5p)	5h		347/600V AC	K51S75A	K52S75A
	6h		200/346 to 240/415V AC	K51S35A	K52S35A
	7h		277/480V AC	K51S55A	K52S55A
	9h		120/208V AC	K51S25A	K52S25A

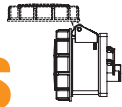
Orange, Green & Grey are all Black with color coded labels.

**Dimensions** (mm / in.)  
**& Weight** (g / lb.)



Poles	20A			30A		
	2P3W (3p)	3P4W (4p)	4P5W (5p)	2P3W (3p)	3P4W (4p)	4P5W (5p)
<b>a</b> [mm / inch]	133 / 5.24	139 / 5.47	145 / 5.71	162 / 6.38	162 / 6.38	168 / 6.61
<b>b</b> [mm / inch]	78 / 3.07	84 / 3.31	92 / 3.62	96 / 3.78	96 / 3.78	102 / 4.02
<b>K_cable Ø</b> [mm / inch]	6-15 / 0.24-0.59	6-15 / 0.24-0.59	8-16 / 0.31-0.63	11.5-20 / 0.45-0.79	11.5-20 / 0.45-0.79	11.5-22 / 0.45-0.87
<b>SW</b> [mm / inch]	38 / 1.5	38 / 1.5	42 / 1.65	50 / 1.97	50 / 1.97	50 / 1.97
<b>Weight</b> [g / lb]	163 / 0.36	188 / 0.41	212 / 0.47	268 / 0.59	285 / 0.63	332 / 0.73

# IP67 RECEPTACLES FLANGE STRAIGHT 20/30A

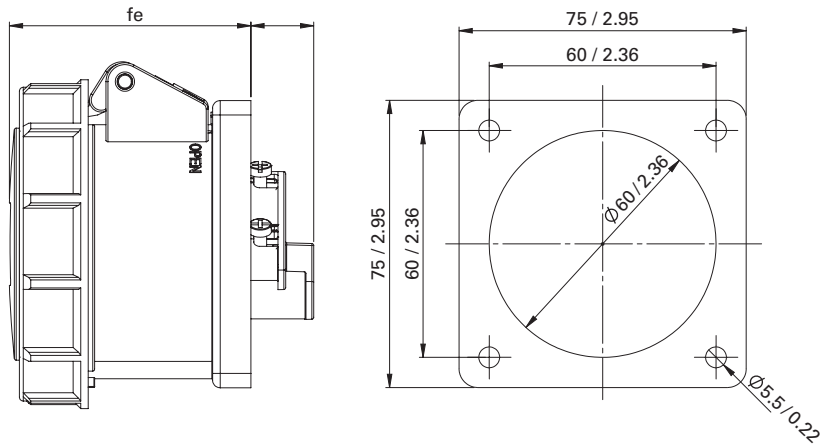


## F52S55A

wire configuration	clock position	Symbol	Voltage (colors)	20A part number	30A part number
2P3W (3p)	4h		120V AC	F31S15A	F32S15A
	5h		277V AC	F31S75A	F32S75A
	6h		250V AC	F31S25A	F32S25A
	7h		480V AC	F31S55A	F32S55A
3P4W (4p)	3h		380,440V AC	F41S05A	F42S05A
	5h		600V AC	F41S75A	F42S75A
	6h		380V AC	F41S35A	F42S35A
	7h		480V AC	F41S55A	F42S55A
	9h		250V AC	F41S25A	F42S25A
	12h		120/250V AC single phase	F41S65A	F42S65A
4P5W (5p)	5h		347/600V AC	F51S75A	F52S75A
	6h		200/346 to 240/415V AC	F51S35A	F52S35A
	7h		277/480V AC	F51S55A	F52S55A
	9h		120/208V AC	F51S25A	F52S25A

Orange, Green & Grey are all Black with color coded labels.

### Dimensions (mm / in.) & Weight (g / lb.)



Poles	20A			30A		
	2P3W (3p)	3P4W (4p)	4P5W (5p)	2P3W (3p)	3P4W (4p)	4P5W (5p)
e [mm / inch]	18 / 0.71	17 / 0.67	18 / 0.71	21 / 0.83	21 / 0.83	21 / 0.83
f [mm / inch]	63 / 2.48	63 / 2.48	63 / 2.48	73 / 2.87	73 / 2.87	73 / 2.87
Weight [g / lb]	145 / 0.32	167 / 0.37	184 / 0.41	218 / 0.48	235 / 0.52	264 / 0.58

# IP67 RECEPTACLES FLANGE ANGLED 20/30A

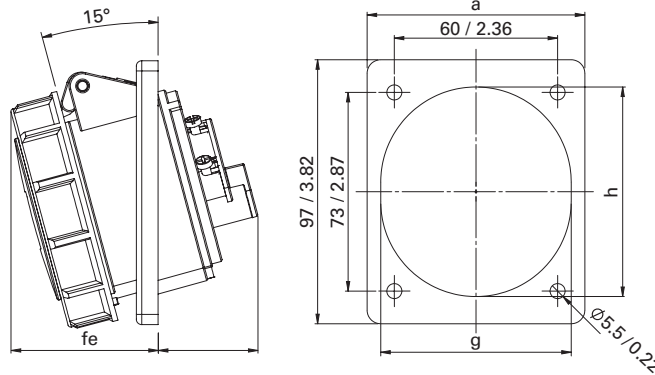


## F42S78A

wire configuration	clock position	Symbol	Voltage (colors)	20A part number	30A part number
2P3W (3p)	4h		120V AC	F31S18A	F32S18A
	5h		277V AC	F31S78A	F32S78A
	6h		250V AC	F31S28A	F32S28A
	7h		480V AC	F31S58A	F31S58A
3P4W (4p)	3h		380,440V AC	F41S08A	F42S08A
	5h		600V AC	F41S78A	F42S78A
	6h		380V AC	F41S38A	F42S38A
	7h		480V AC	F41S58A	F42S58A
	9h		250V AC	F41S28A	F42S28A
	12h		120/250V AC single phase	F41S68A	F42S68A
4P5W (5p)	5h		347/600V AC	F51S78A	F52S77A
	6h		200/346 to 240/415V AC	F51S38A	F52S37A
	7h		277/480V AC	F51S58A	F52S57A
	9h		120/208V AC	F51S28A	F52S27A

Orange, Green & Grey are all Black with color coded labels.

## Dimensions (mm / in.) & Weight (g / lb.)



Poles	20A			30A		
	2P3W (3p)	3P4W (4p)	4P5W (5p)	2P3W (3p)	3P4W (4p)	4P5W (5p)
a [mm / inch]	80 / 3.15	80 / 3.15	80 / 3.15	80 / 3.15	80 / 3.15	80 / 3.15
e [mm / inch]	30 / 1.18	33 / 1.3	36 / 1.42	40 / 1.57	40 / 1.57	42 / 1.65
f [mm / inch]	54 / 2.13	54 / 2.13	54 / 2.13	65 / 2.56	65 / 2.56	65 / 2.56
g [mm / inch]	70 / 2.76	70 / 2.76	70 / 2.76	71 / 2.8	71 / 2.8	78 / 3.07
h [mm / inch]	77 / 3.03	77 / 3.03	77 / 3.03	78 / 3.07	78 / 3.07	87 / 3.43
Weight [g / lb]	159 / 0.35	181 / 0.4	200 / 0.44	235 / 0.52	252 / 0.56	283 / 0.62

**IP67  
RECEPTACLES  
WALL MOUNT  
20/30A**

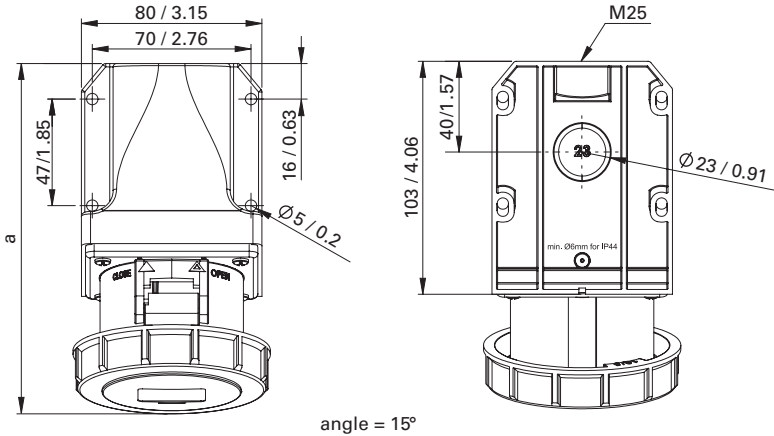


**D42S35A**

wire configuration	clock position	Symbol	Voltage (colors)	20A part number	30A part number
<b>2P3W</b> (3p)	4h		120V AC	D31S15A	D32S15A
	5h		277V AC	D31S75A	D32S75A
	6h		250V AC	D31S25A	D32S25A
	7h		480V AC	D31S55A	D32S55A
<b>3P4W</b> (4p)	3h		380,440V AC	D41S05A	D42S05A
	5h		600V AC	D41S75A	D42S75A
	6h		380V AC	D41S35A	D42S35A
	7h		480V AC	D41S55A	D42S55A
	9h		250V AC	D41S25A	D42S25A
	12h		120/250V AC single phase	D41S65A	D42S65A
<b>4P5W</b> (5p)	5h		347/600V AC	D51S75A	D52S75A
	6h		200/346 to 240/415V AC	D51S35A	D52S35A
	7h		277/480V AC	D51S55A	D52S55A
	9h		120/208V AC	D51S25A	D52S25A

Orange, Green & Grey are all Black with color coded labels.

**Dimensions (mm / in.)  
& Weight (g / lb.)**



angle = 15°

Poles	20A			30A		
	2P3W (3p)	3P4W (4p)	4P5W (5p)	2P3W (3p)	3P4W (4p)	4P5W (5p)
<b>a</b> [mm / inch]	147 / 5.79	149 / 5.87	150 / 5.91	161 / 6.34	161 / 6.34	162 / 6.38
<b>Height</b> [mm / inch]	96 / 3.78	99 / 3.9	102 / 4.02	108 / 4.25	108 / 4.25	110 / 4.33
<b>Weight</b> [g / lb]	244 / 0.54	265 / 0.58	282 / 0.62	316 / 0.7	333 / 0.73	362 / 0.8